

# Accessible Evidence

**Name:** Martin Stone  
**Position:** Data Architect  
**Organisation:** Communities and Local Government

**Telephone:** 07887 951977  
**Email:** [martin.stone@communities.gsi.gov.uk](mailto:martin.stone@communities.gsi.gov.uk)

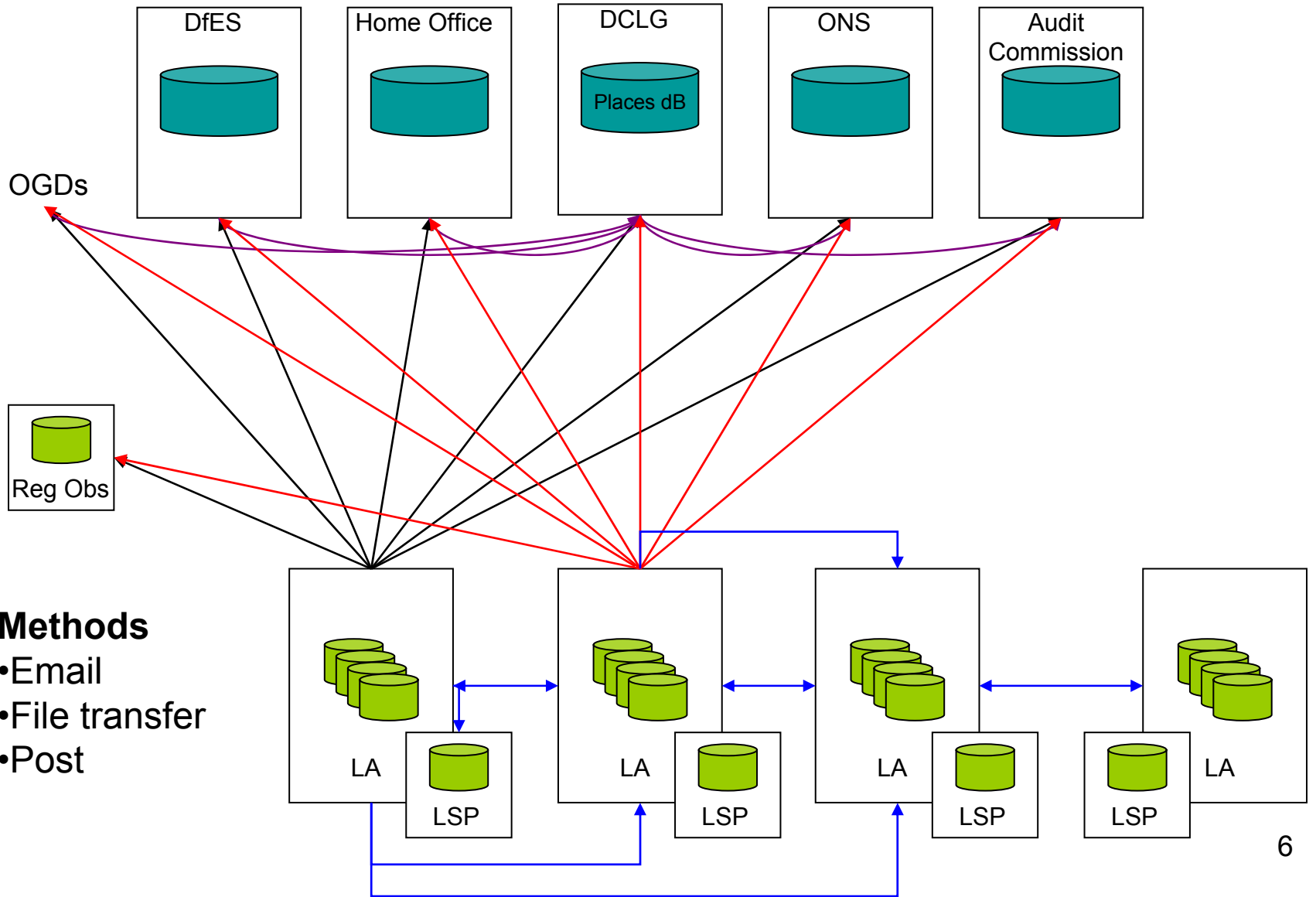
good quality, consistent, accurate  
timely, easily available and shareable  
frequently updated, low granularity

**Collect Once Use Numerous Times -  
COUNT**

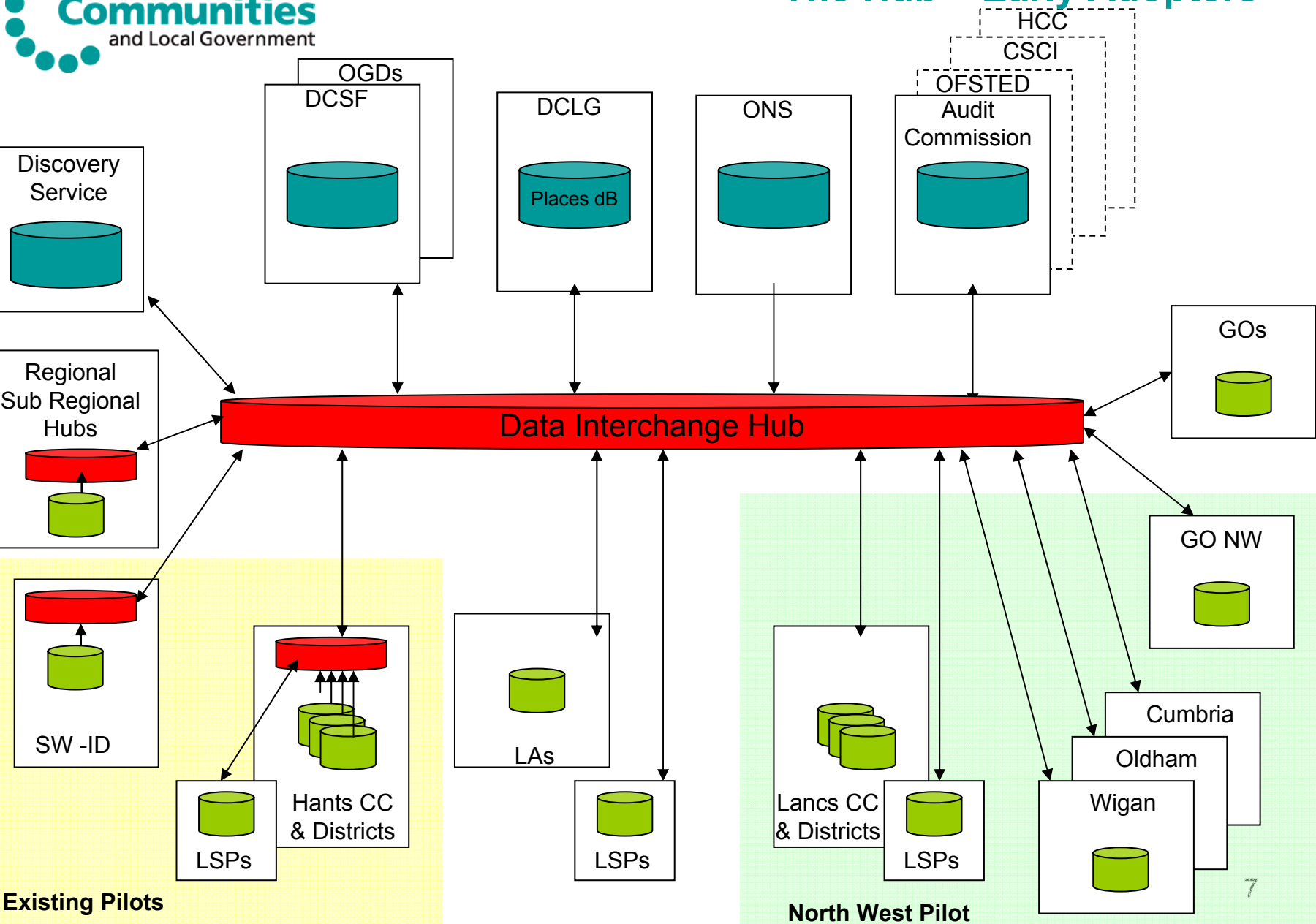
- To be able to regroup data into different boundaries - *low level of granularity*
- To be able to add new evidence without changing the systems - *use standards*
- To be able to share unpublished, non validated data as well as published data - *status of the data and access controls*
- To be able to swap denominators – *store numerator and denominators separately*
- To be able to share targets & commentary

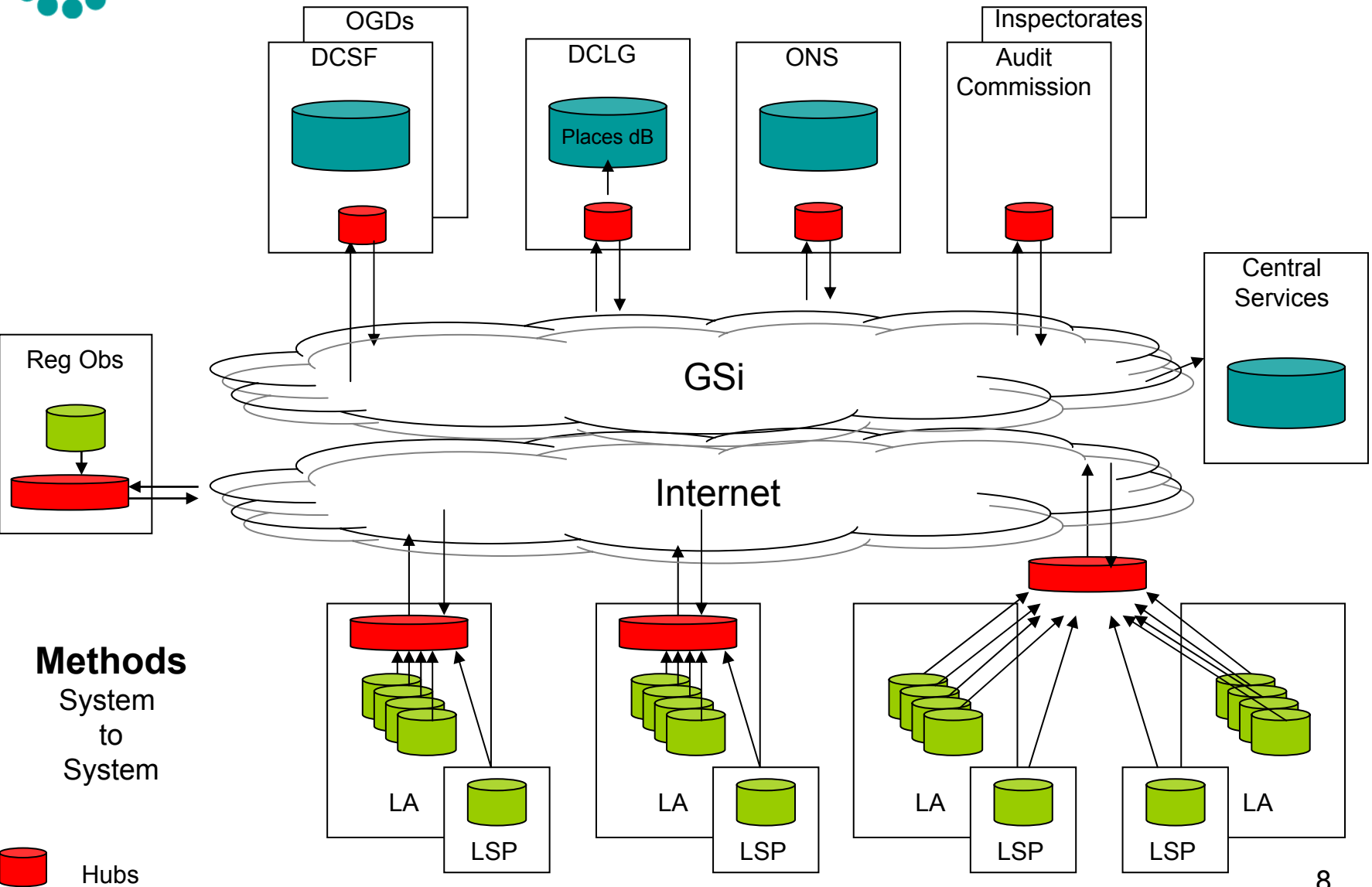
- Concentrate on the interchange mechanisms rather than the end systems.
- To interchange successfully participants must use the same standards for format, content and communications.
- A discovery service to locate and retrieve the evidence

- Content Format – LGDX xml schema.
- Controlled Lists
- Indicator definitions
- IPSV, LGSL.
- Organisation Codes – LA s, LAAs, LSPs, GO s, CGDs



# The Hub – Early Adopters





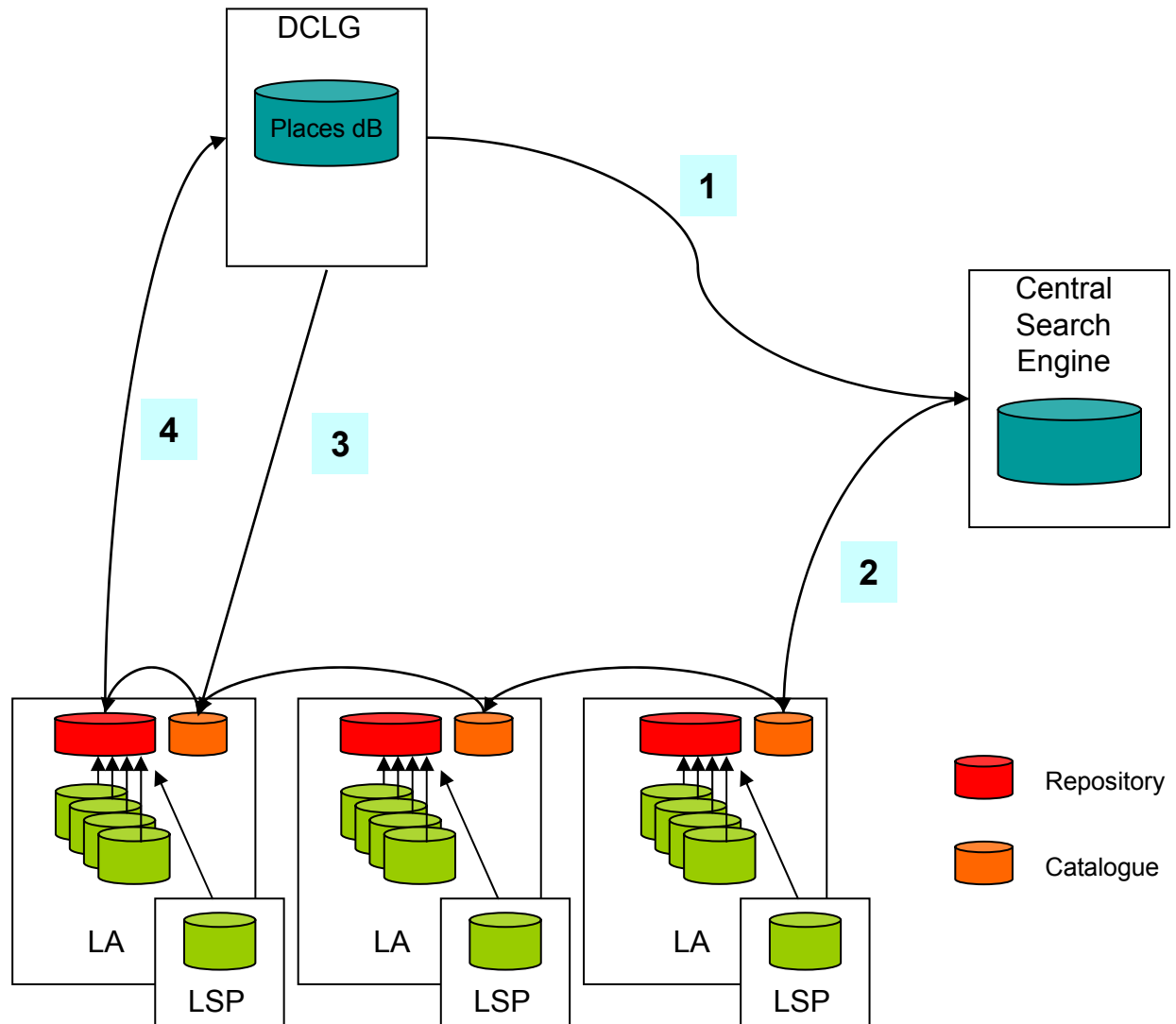
- Each repository has an associated catalogue
- Each catalogue is registered with a central search engine
- Within your own portal you initiate an enquiry

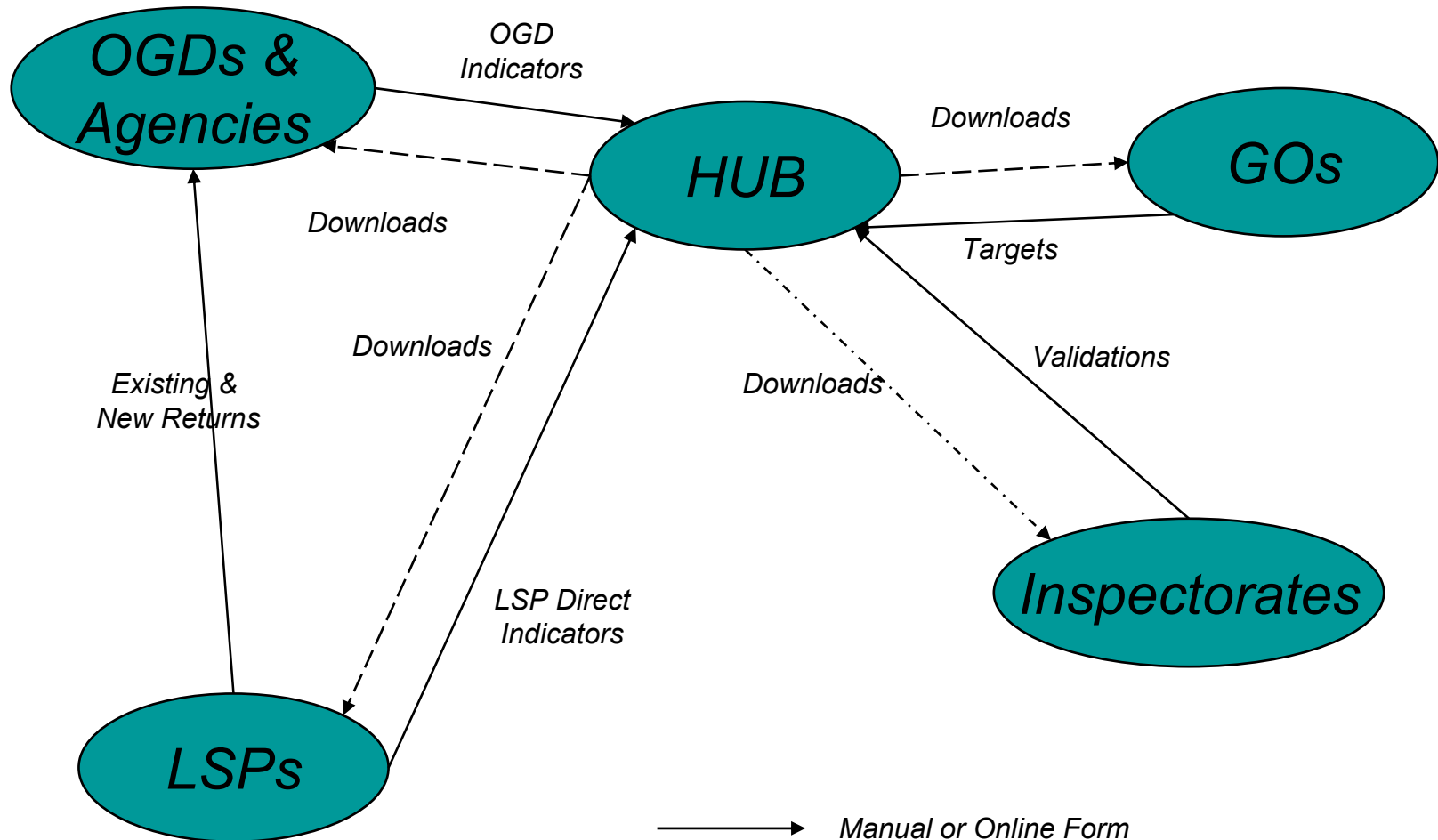
1. The enquiry is sent to the central search engine

2. The central search engine polls all the registered catalogues and returns a list to your portal

3. You select an item to view in detail

4. You then click to view the associated data

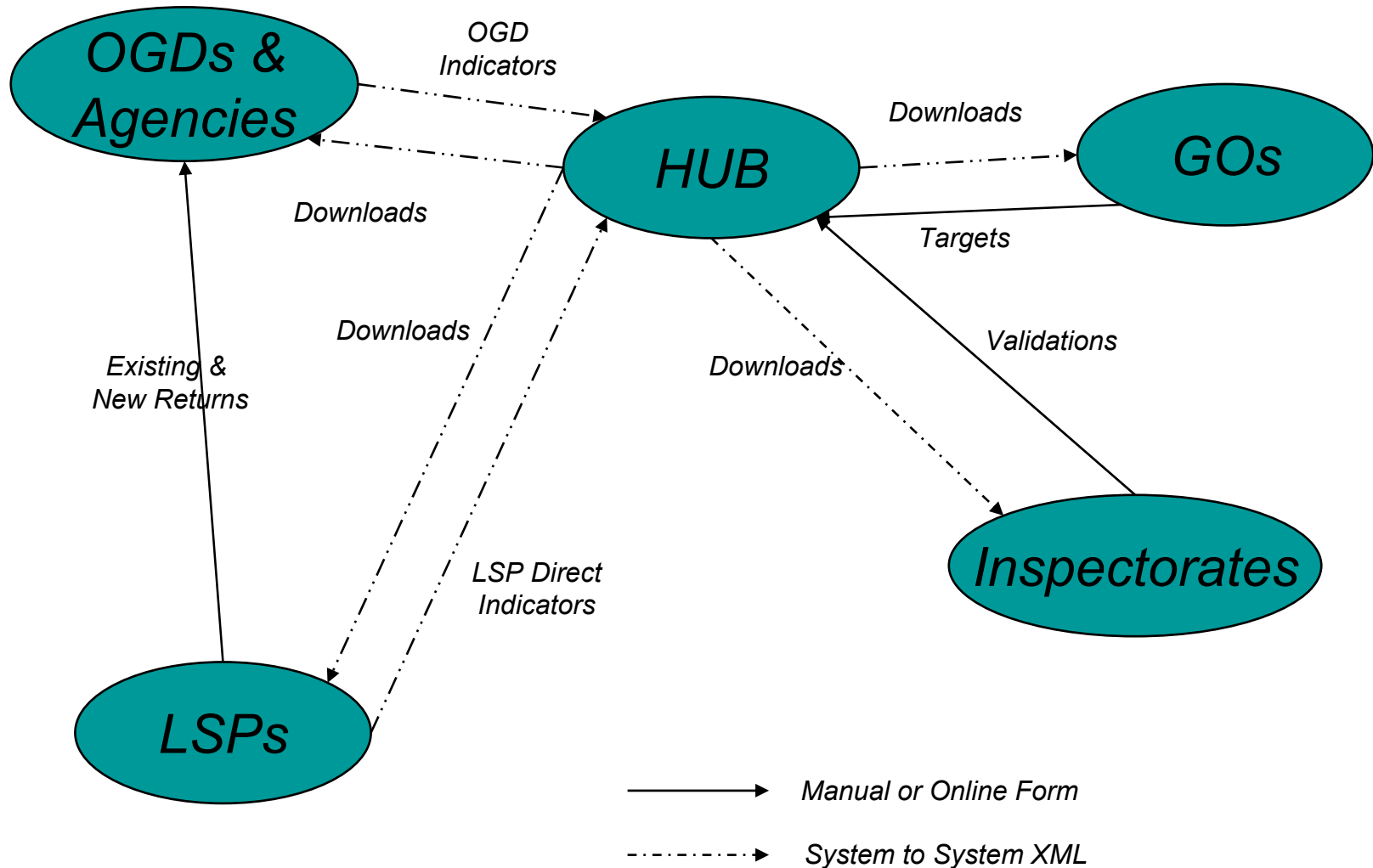




—————▶ *Manual or Online Form*

- - - - -▶ *CSV*

.....▶ *Special Bulk load*



- **Phase 1 – Release 1 - by April 2008**
- A system in place which is fit for purpose:
  - ❖ Web forms enabling indicator, target and commentary values to be collected and updated
  - ❖ Historical indicator data
  - ❖ .csv extract tool to download data to Excel
  - ❖ Online help and user training/guidance
  - ❖ Establishment of a Helpdesk
- Communications on all this being prepared (building on events like this)

- **Phase 1 – Release 2 - April to August 2008**
- The Hub will be available to input data by Locality Managers
- LAA/GO Reporting Tool will be active
- The ability to report indicator values within the year for an indicator where indicators are entered more frequently than annually
- The GO Analytical Tool will be scoped and costed

- **Phase 2 - Longer term (after April 2008)**
- The Hub will be able to hold 2007.08 historical data from April onwards
- Web forms for LSPs to add particular Nis and GO/LSP targets will be available
- Engage with Government Departments to extend the capacity for automatic transfer of data without the need to manually upload the data
- Development of local repositories to hold partnership and Multi Area Agreement (MAA) level of data
- Beneficial, but non vital functionality
- XML output facility to be built in

- To access further information such as project documentation and the Hub forum
- please register @ <http://www.esd.org.uk/esdtoolkit/register.aspx>
- and then go to <http://www.esd.org.uk/pie>
- or go to the esd forums index <http://www.esd.org.uk/forums/index.php>
- and select
- [Information Management Programme: CLG Performance Indicator Exchange](#)
- Thanks for listening
- Questions and discussion?